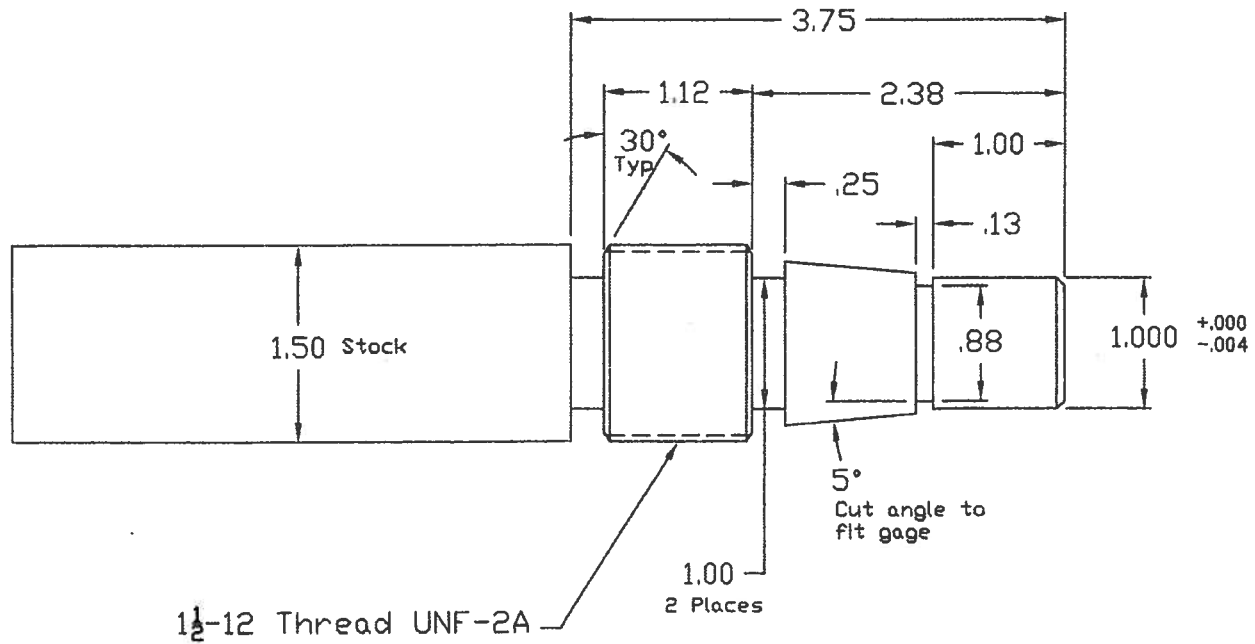


Note

Finish 125 ✓

Break all edges .04 min.



Tolerance	
Unless otherwise specified	
2 Places	+/- .03
3 Places	+/- .010
Angles	+/- 2 Deg

Material
1 1/2 Dia.
1018 CRS

Proficiency Test Piece
Calhoun MEBA Engineering School